

JO-WAY
WOODWORKING MACHINERY

MULTI RIP SAW

Pursue the higher quality level.

Committed to excellence.

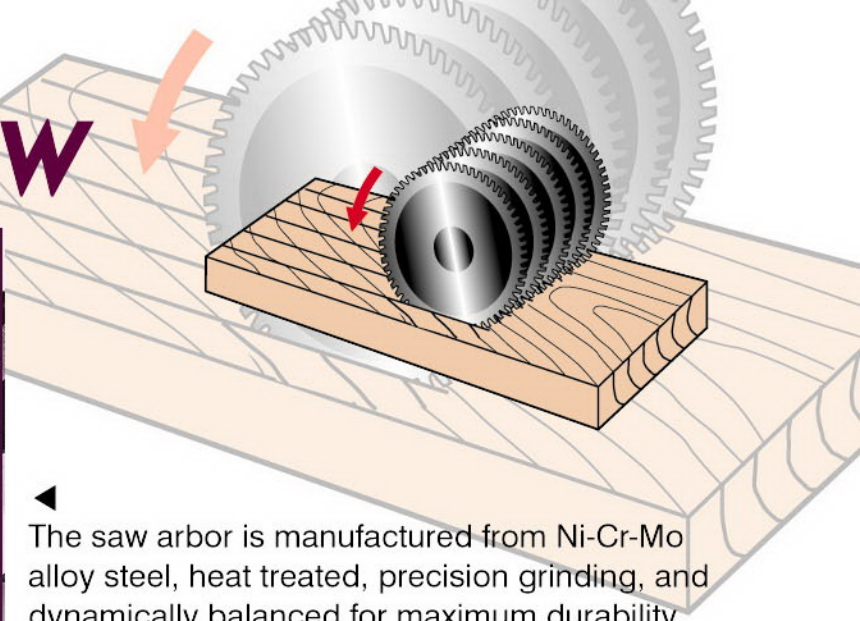
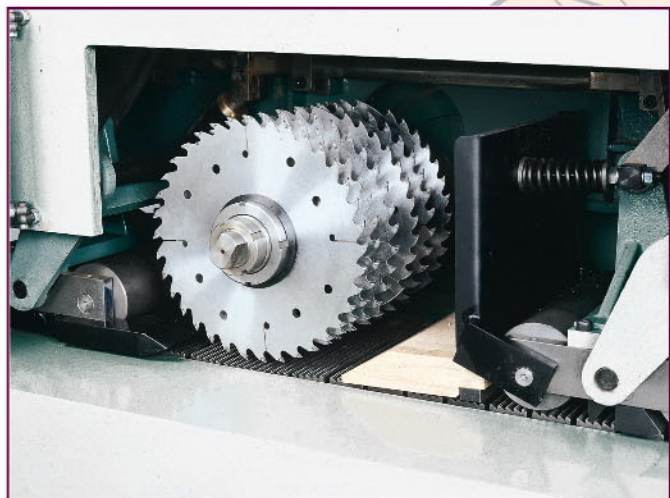
Dedicated to your full satisfaction.



JM-320

JO-WAY MACHINERY CO.,LTD.

MULTI RIP SAW



◀ The saw arbor is manufactured from Ni-Cr-Mo alloy steel, heat treated, precision grinding, and dynamically balanced for maximum durability and stability.



Variable feed speed device permits for convenient and fast speed change.



The caterpillar chain blocks are made of special cast iron, heat treated and specially machined, ensuring rigidity of structure, accuracy and long service life.



The automatic lubricator offers frequent lubrication between the caterpillar chain and rail.

SPECIFICATIONS

MODEL	JM-320	JM-320H
Max. depth cut	120 mm	145 mm
Sawblade diameter	φ 250~360 mm (10"~14")	φ 250~410 mm (10"~16")
Bore of sawblade bush	φ 70 mm	φ 70 mm
Width of feed chain	300 mm	300 mm
Useful length of sawblade bush	300 mm	300 mm
Power of saw motor	40HP (Opt. 50HP, 60HP)	50HP (Opt. 60HP, 70HP)
Feed motor	2 HP	3 HP
Spindle speed	3200 RPM	3200 RPM
Stepless feed speed of chain	6.7~35 m/min	6.7~35 m/min
Packing size (L x W x H mm)	1880 x 1550 x 1750	1850 x 1700 x 1700
N.W. / G.W. (kgs)	1850 / 2100	2100 / 2280

* All specifications, dimensions and design characteristics shown in this catalogue are subject to change without notice.

JO-WAY MACHINERY CO.,LTD.

No. 159, Ta Ming Rd., Shen Kang Hsiang 42914,
Taichung County, Taiwan, R.O.C.
Tel: 886-4-2526-6859 Fax: 886-4-2525-2890
Http: //www.jo-way.com
E-mail: jowaylao@ms58.hinet.net

AGENT